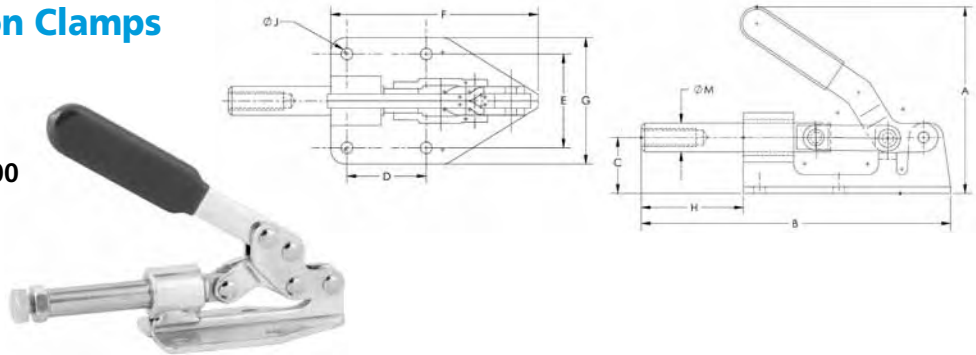


# TOGGLE CLAMPS



## Straight Line Action Clamps Part Number 34306

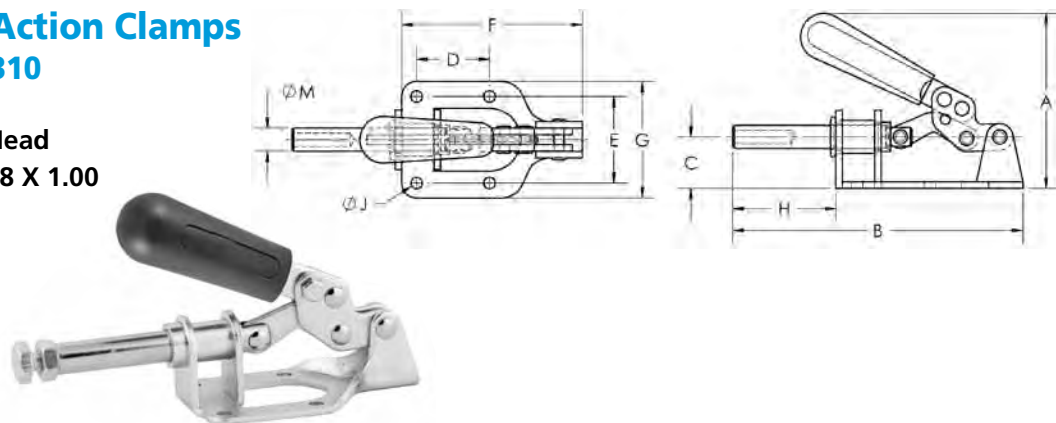
Spindle Type: Hex Head  
Spindle Size: 5/16-18 X 1.00



Part No.	A	B	C	D	E	F	G	H	J	M	Mounting Type	Handle Type	Holding Cap. Lbs.	Plunger Travel	Spindle Thread
34306	4.10	5.00	0.85	1.57	1.33	3.27	1.95	1.71	0.26	0.47	FLANGE	STANDARD	300	1.25	INTERNAL

## Straight Line Action Clamps Part Number 34310

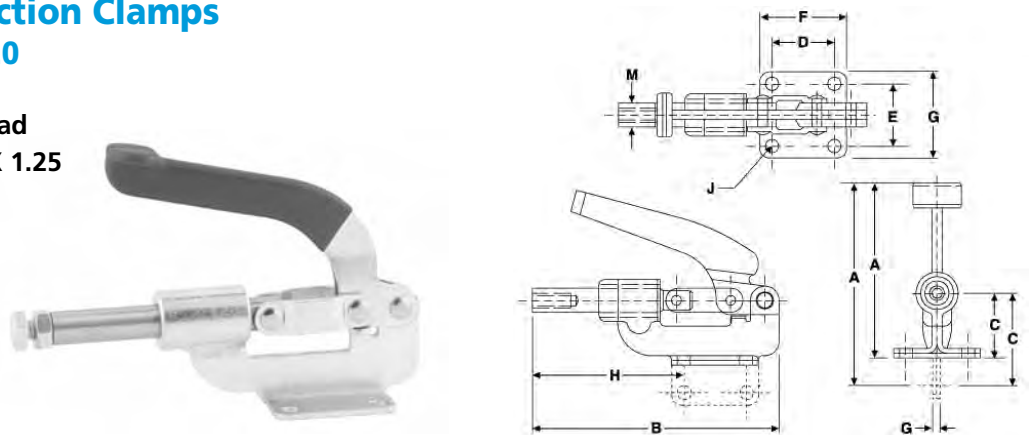
Spindle Type: Hex Head  
Spindle Size: 5/16-18 X 1.00



Part No.	A	B	C	D	E	F	G	H	J	M	Mounting Type	Handle Type	Holding Cap. Lbs.	Plunger Travel	Spindle Thread
34310	3.14	5.45	0.98	1.38	1.64	3.55	2.22	1.90	0.22	0.47	FLANGE	STANDARD	300	1.25	INTERNAL

## Straight Line Action Clamps Part Number 34320

Spindle Type: Hex Head  
Spindle Size: 3/8-16 X 1.25



Part No.	A	B	C	D	E	F	G	H	J	M	Mounting Type	Handle Type	Holding Cap. Lbs.	Plunger Travel	Spindle Thread
34320	5.04	6.82	1.75	1.63	1.58	2.25	2.20	4.23	0.34	0.62	FLANGE	STANDARD	800	1.63	INTERNAL